



RADIATION PROTECTION

TABLE OF CONTENTS

About Our Company.....	1
Health & Safety	2
Lead Roll Shielding	3
Lead Panel Shielding	4
Interlocking Lead Brick.....	5
Lead Door Shielding	6
Lead Window Shielding	7

ABOUT OUR COMPANY

OUR COMPANY

Our commitment to our core values has catapulted us as one of the Industry leaders in our market. We are a forward-thinking organization that is committed to bringing our clients the best products and services in our industry.

CAPACITY & RESOURCES

Global Partners in Shielding, Inc. is one of the few shielding companies which design, manufacture, and fabricate in-house giving us full control over our customer's overall experience. All of our material is stocked and ready to move on a moment's notice. Additionally, if there are specific/custom needs required for a project, our engineering team along with the help of our resources can fabricate a part quickly upon request and completed within a few days. Our business model has allowed us to act quickly and efficiently to complete the project in a timely manner and ensure the Customer's overall satisfaction.

We have well over 100 combined years of experience in the shielding industry. In addition to our personable staff, our knowledge and dedication to the craft allows us to assist the customer in the most efficient way possible while providing the best overall experience.

A TOTAL SOLUTIONS COMPANY

Global Partners in Shielding, Inc. provides the widest range services available to help architects and builders solve all interference problems created by radiated and conductive energy from the magnetic through EMI, microwave, and gamma ray frequencies.

Our Engineers and sales representatives work hand in hand with architects and builders. Global Partners in Shielding, Inc. is one of the world's most respected manufacturers of shielding materials in the industry.

HEALTH & SAFETY

At Global Partners in Shielding, Inc., we are committed to creating a safe, secure, and efficient workplace for every employee, customer, and contractor both in the field and at our manufacturing facility. We believe the complete elimination of injuries, illnesses, and unsafe practices are essential for a company's short and long-term success. Not only does our company have an exemplary safety record as displayed by our Experience Modification Rate, but all Field Employees are required to have their OSHA certifications refreshed every three years. Job skill training is conducted prior to using any and all equipment to ensure full competency before being assigned responsibilities.

We put a lot of time and effort into our Health and Safety Program to ensure our employees are tooled with the knowledge about the task at hand and are able to prevent job hazards before they happen. Our company has worked at numerous government and military sites including: Army Core of Engineers, Department of Energy, Brookhaven National Laboratories, to name but a few. We take pride in our safety record and will relentlessly pursue a safe working environment on your jobsite!

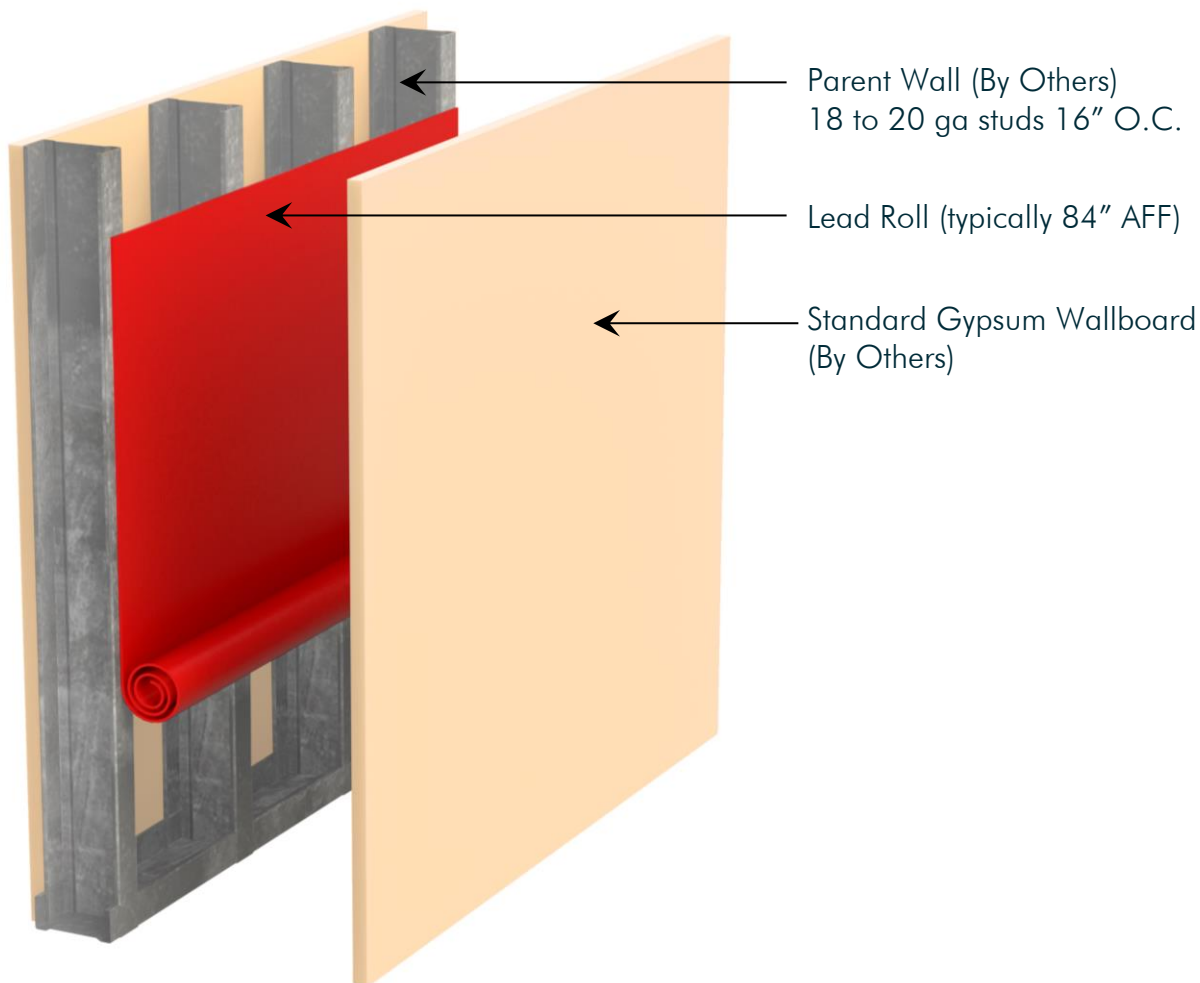
SAFETY,
OUR
#1 PRIORITY

OSHA[®]
30 HOUR CONSTRUCTION

LEAD ROLL SHIELDING

Lead roll shielding is typically utilized for imaging modalities such as Computed Tomography (CT), Ultrasound, and X-Ray. Lead rolls are used in lieu of lead lined gypsum to increase the efficiency of installation. This method has shown to be significantly cheaper, as well as dramatically reducing the installation time.

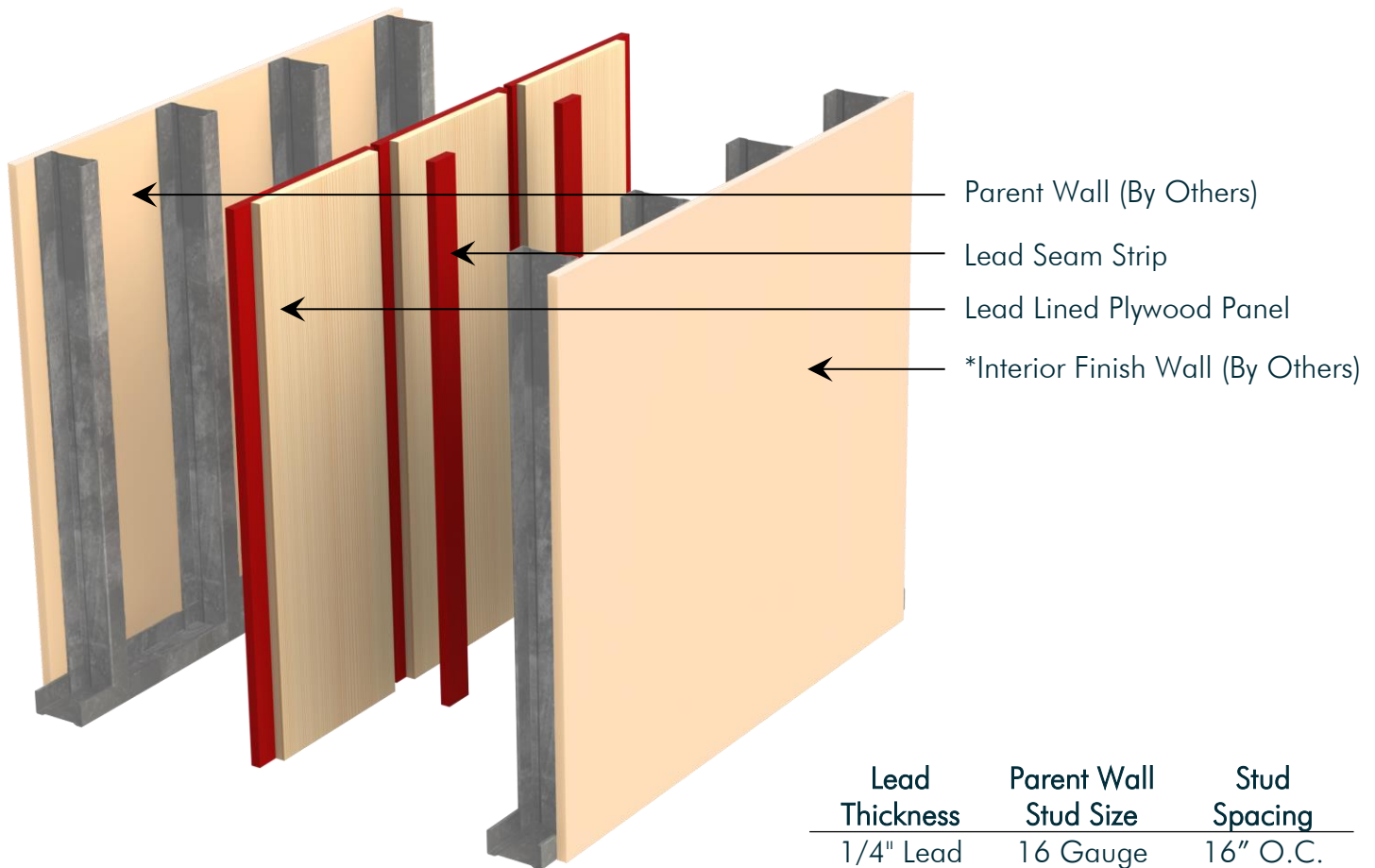
1/32" to 1/8" LEAD LINED WALL



LEAD PANEL SHIELDING

Lead panel shielding is typically used for Positron Emission Tomography (PET) suites. The assembly consists of lead sheet laminated to 3/4" plywood and are individually fastened to the parent wall. Panels butt against adjacent panels and seam strips are utilized at all joints to ensure a leak free environment.

1/4" to 3/4" LEAD LINED WALL



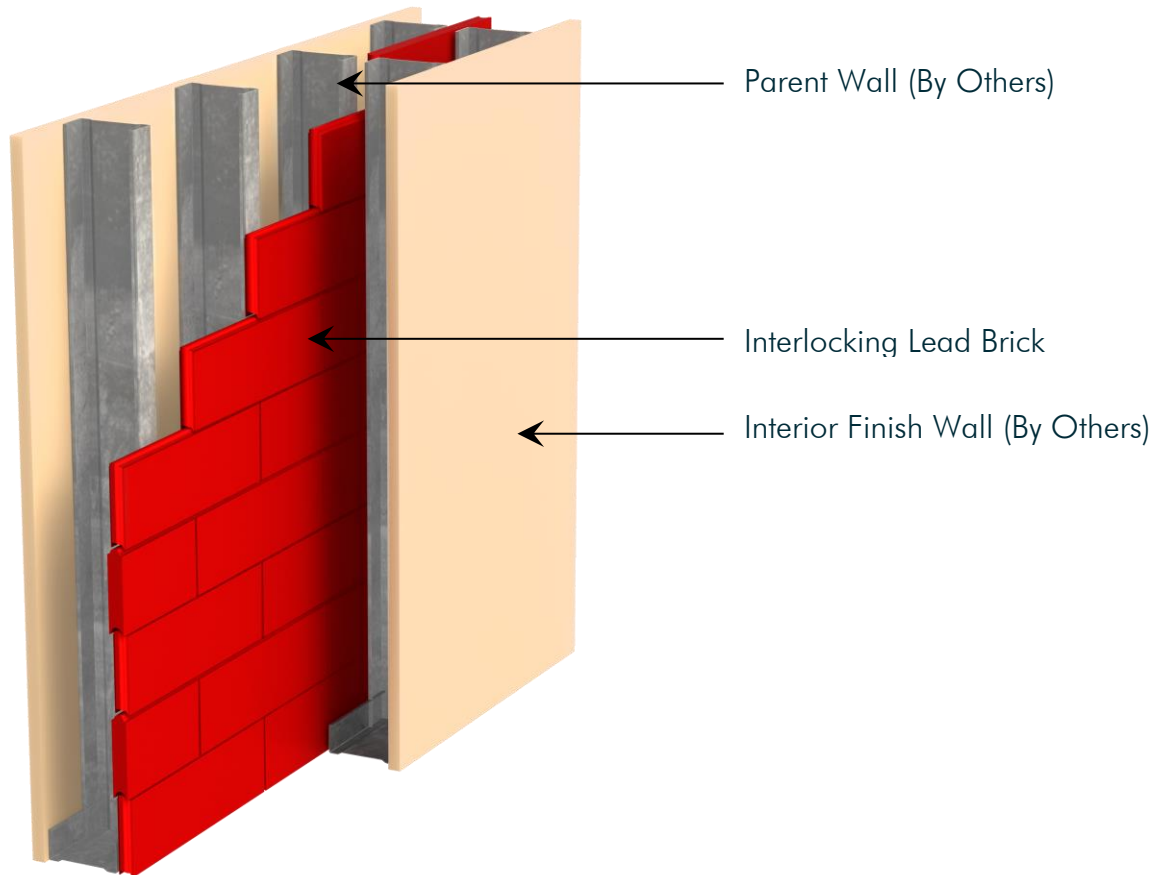
Lead Thickness	Parent Wall Stud Size	Stud Spacing
1/4" Lead	16 Gauge	16" O.C.
3/8" Lead	14 Gauge	16" O.C.
1/2" Lead	16 Gauge	12" O.C.
5/8" Lead	14 Gauge	12" O.C.
3/4" Lead	14 Gauge	12" O.C.

* Interior finish wall studs range from 7/8" Chicago bar up to 3-5/8" studs gauge per architects recommendations.

INTERLOCKING LEAD BRICK

Our Interlocking Lead Brick are exclusively developed for shielding of radiation modalities. This material is alloyed with 1/2 % antimony to increase the hardness of the brick.

1" to 3" LEAD LINED WALL



Lead Brick Specifications

- Available in thickness of 1", 1-1/2", 2", 2-1/2" and 3"
- Four edges tongue and grooved interlock
- Lead brick manufactured from ASTM-B29 pig lead alloyed as mentioned above

LEAD DOOR SHIELDING

Lead Lined Solid Core Wood Doors

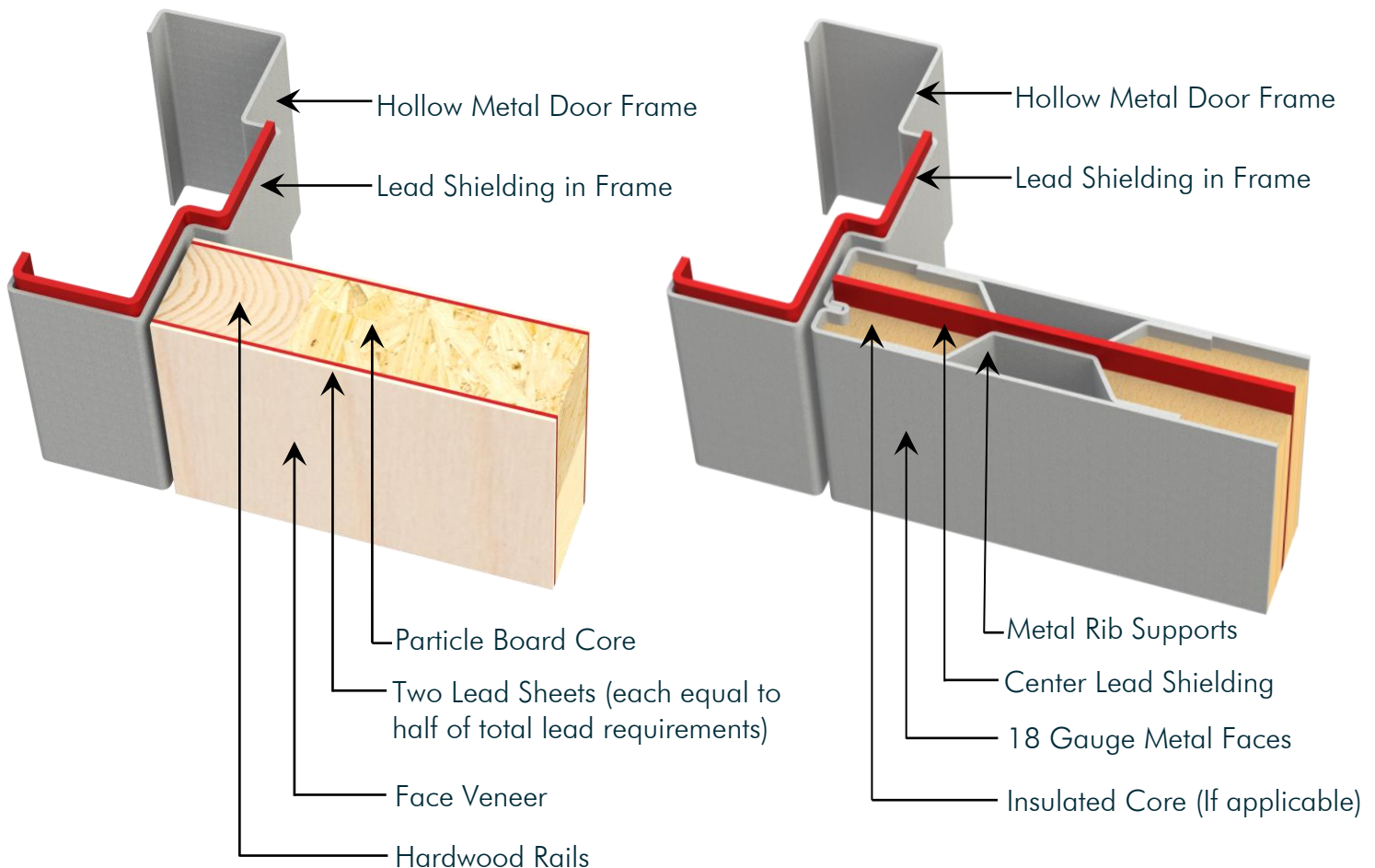
Our lead lined solid core wood doors are manufactured utilizing two distinct techniques depending on the thickness of shielding required. Lead between 1/32" thick to 1/4" thick is constructed by laminating two pieces of uninterrupted lead sheets to either side of the wood core. Lead between 1/4" thick to 1/2" thick is constructed by laminating uninterrupted lead sheet between the wood cores and securely fastened with lead covered bolts. In both door designs, all standard architectural hardware are allowed and both doors are available in a range of wood or custom veneers.

Lead Lined Hollow Metal Doors

Our lead lined hollow metal doors are available in 16, 14, or 12 gauge galvanized and 16 or 14 gauge stainless steel, with an uninterrupted lead sheet ranging from 1/32" thick to 1/2" thick a sheet of high density polystyrene.

LEAD WOOD DOOR

LEAD HOLLOW METAL DOOR

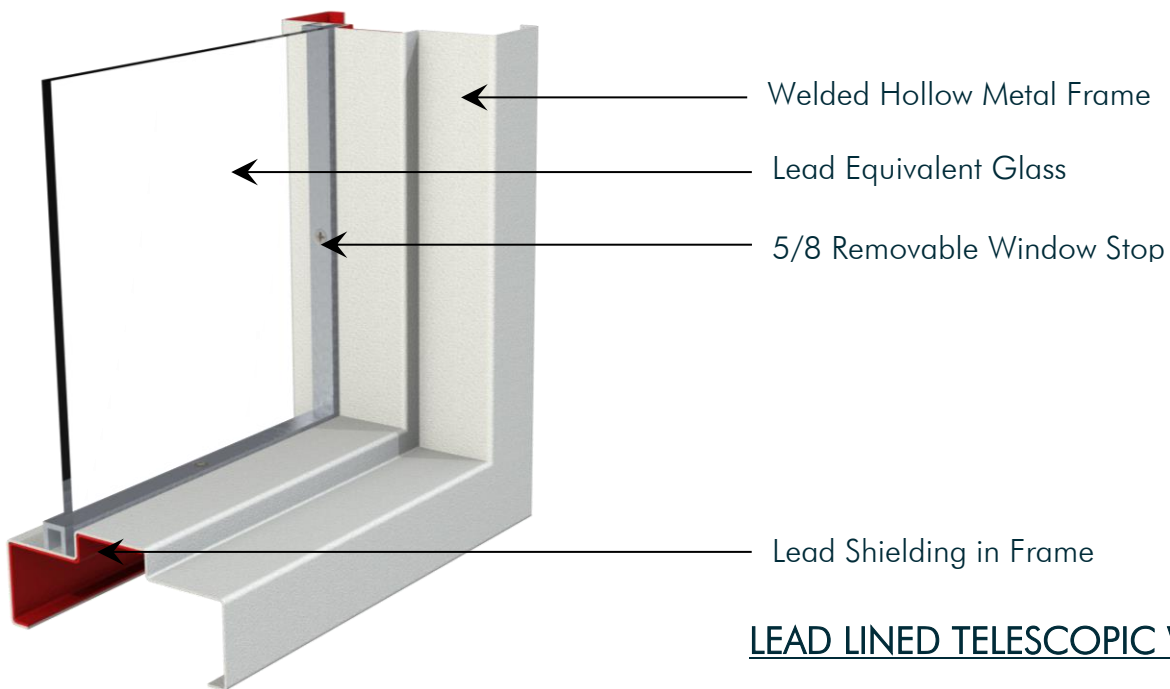


LEAD WINDOW SHIELDING

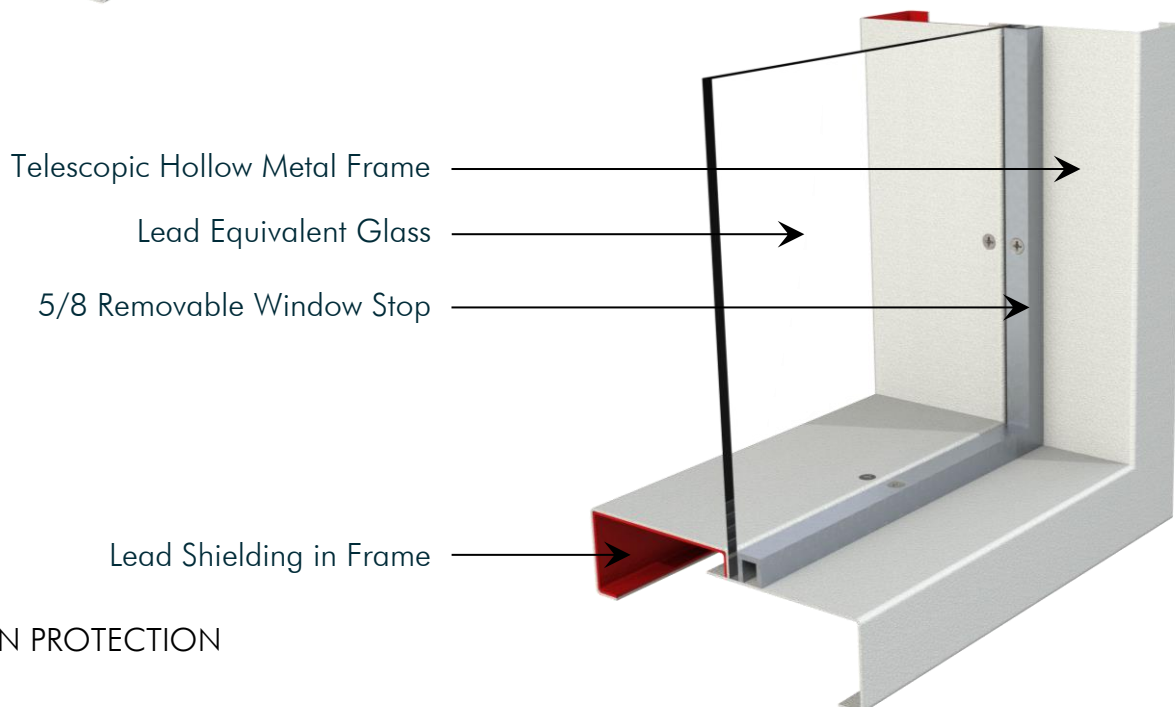
Lead glazing is used in medical applications for observing equipment during X-ray, CT, and PET scans. Lead glass protects doctors and staff from radiation with minimal discoloration of the glass or deterioration in viewing quality.

The glass is made of high quality optical grade material, offering excellent radiation protection and high light transmittance. The surfaces are hard, polished surfaces which offer greater scratch resistance and superior visual clarity.

LEAD LINED WELDED WINDOW FRAME



LEAD LINED TELESCOPIC WINDOW



"Innovative Shielding Solutions"



Global Partners in Shielding, Inc.

5 Just Road, Fairfield, NJ 07004

(973) 574-9077

inquiry@shieldingsystems.com

www.shieldingsystems.com

